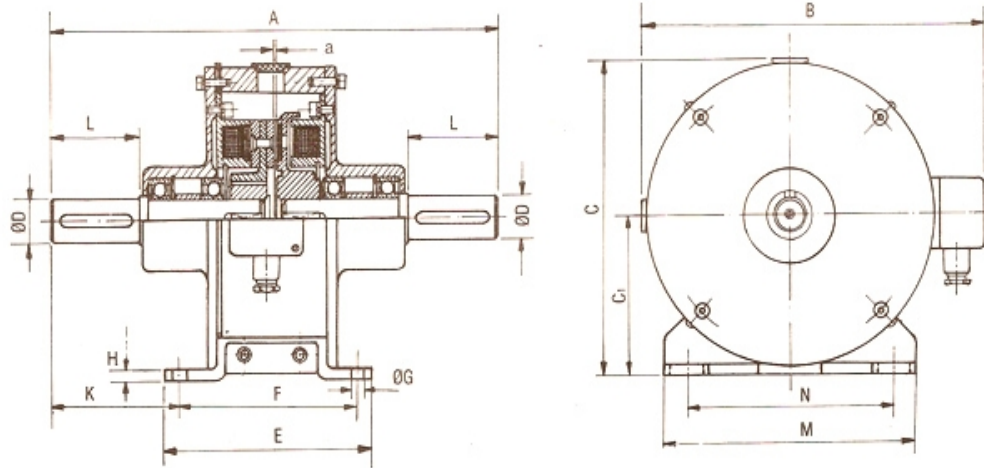


Magpower Linksys



DIMENSIONS : TYPE CBE : CLUTCH - BRAKE ENCASED UNIT

SIZE	08	10	12	15	19
Torque (Nm)	7.5	15	30	60	120
Max Speed (min ⁻¹)	7000	6000	5000	4000	3000
Input Power at 20°C(W) Clutch	15	21	29	36	50
Brake	11	16	21	27	37
A	175	209.5	272	319.5	383
B	140	145	180	205	265
C	123.5	141	177	200	258.5
C ₁	63	71	90	100	132
Φ D _{in}	11	14	24	28	38
E	100	115	130	160	200
F	80	95	100	130	170
Φ G	7	7	10	12	12
H	12	12	15	15	15
K	55	58	87	99	110.5
L	23	30	50	60	80
M	110	130	170	185	220
N	90	105	140	150	180
a	0.2	0.2	0.2	0.3	0.3

All dimensions in mm. Alterations reserved.
 Standard Voltages : 24VDC, 96VDC, 190VDC. Other Voltages at extra cost.
 1Nm = 0.102 Kgm = 0.737 lb.ft.

